

MTHMQ/MTHMQ-2

Medium-Duty Multiple-Truss Hangers

The MTHMQ and MTHMQ-2 are designed for carrying two or three trusses. The design offers concealed flanges and installs with Strong-Drive® SDS Heavy-Duty Connector screws (included) for easier installation.

Material: 12 gauge

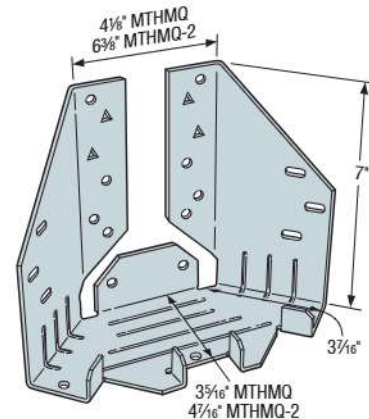
Finish: Galvanized (G90)

Installation:

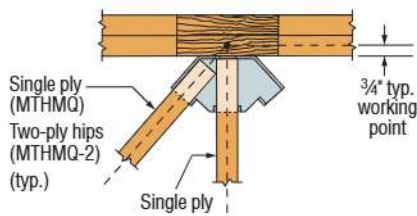
- Use all specified fasteners; see General Notes.
- Can be installed filling round holes only, or filling round and triangle holes for maximum load. For all installations, fill the fastener holes in the bottom of the hanger seat.
- For installations at panel points with 2x6 bottom chords, do not fill the triangle holes unless approved by the Truss Designer.

Codes: See p. 13 for Code Reference Key Chart

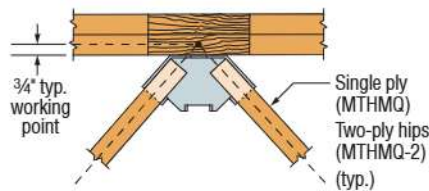
Web Applications: Visit app.strongtie.com/hs to access our Hanger Selector web application.



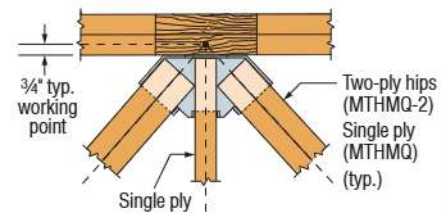
MTHMQ-SDS3
(MTHMQ-2-SDS3 similar)



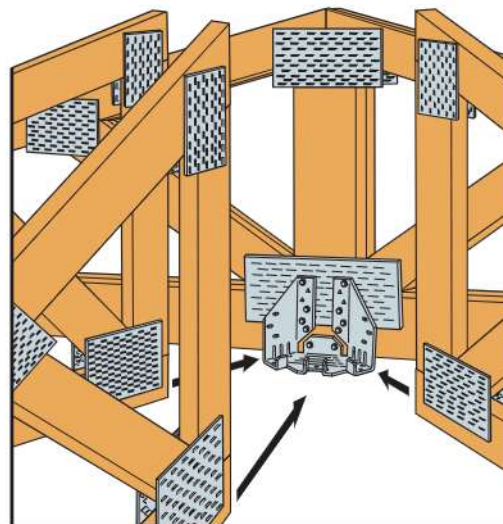
MTHMQ Top View
Left Hand Hip Installation
(MTHMQ-2 similar)



MTHMQ Top View
Terminal Installation without
Center Common Jack
(MTHMQ-2 similar)



MTHMQ-2 Top View
Terminal Installation with
Center Common Jack
(MTHMQ similar)



Typical MTHMQ Min. Installation
at Panel Point

MTHMQ/MTHMQ-2

Medium-Duty Multiple-Truss Hangers (cont.)

Right or Left Hand Hip Installation (Two-Member Connection)

Model No.	Min. Carrying Member	SDS Fasteners			DF/SP Allowable Loads						SPF/HF Allowable Loads						Code Ref.
		Carrying Member	Hip	Jack	Uplift (160)			Download (100/115/125/160)			Uplift (160)			Download (100/115/125/160)			
					Hip	Jack	Total	Hip	Jack	Total	Hip	Jack	Total	Hip	Jack	Total	
MTHMQ-SDS3 (Min.)	(2) 2x6	(10) ¼" x 3"	(4) ¼" x 3"	(1) ¼" x 3"	440	145	585	1,965	655	2,620	315	105	420	1,415	470	1,885	—
MTHMQ-SDS3 (Max.)	(2) 2x8	(14) ¼" x 3"	(4) ¼" x 3"	(1) ¼" x 3"	440	145	585	2,715	905	3,620	315	105	420	1,955	650	2,605	
MTHMQ-2-SDS3 (Min.)	(2) 2x6	(12) ¼" x 3"	(5) ¼" x 3"	(1) ¼" x 3"	800	265	1,065	2,905	970	3,875	575	190	765	2,090	700	2,790	
MTHMQ-2-SDS3 (Max.)	(2) 2x8	(16) ¼" x 3"	(5) ¼" x 3"	(1) ¼" x 3"	800	265	1,065	3,330	1,110	4,440	575	190	765	2,395	800	3,195	

See footnotes below.

Terminal Type Installation (Three-Member Connection)⁵

Model No.	Min. Carrying Member ^{2,3}	SDS Fasteners			DF/SP Allowable Loads						SPF/HF Allowable Loads						Code Ref.
		Carrying Member	Hips (Total)	Jack	Uplift (160)			Download (100/115/125/160)			Uplift (160)			Download (100/115/125/160)			
					Hip (Ea.)	Jack	Total	Hip (Ea.)	Jack	Total	Hip (Ea.)	Jack	Total	Hip (Ea.)	Jack	Total	
MTHMQ-SDS3 (Min.)	(2) 2x6	(10) ¼" x 3"	(8) ¼" x 3"	(1) ¼" x 3"	505	250	1,260	1,470	730	3,670	360	185	905	1,055	530	2,640	—
MTHMQ-SDS3 (Max.)	(2) 2x8	(14) ¼" x 3"	(8) ¼" x 3"	(1) ¼" x 3"	505	250	1,260	1,985	995	4,965	360	185	905	1,430	715	3,575	
MTHMQ-2-SDS3 (Min.)	(2) 2x6	(12) ¼" x 3"	(10) ¼" x 3"	(1) ¼" x 3"	685	340	1,710	2,015	1,010	5,040	490	250	1,230	1,450	730	3,630 ⁷	
MTHMQ-2-SDS3 (Max.)	(2) 2x8	(16) ¼" x 3"	(10) ¼" x 3"	(1) ¼" x 3"	685	340	1,710	2,655	1,330	6,640	490	250	1,230	1,910	960	4,780	

- Allowable loads have been increased for wind or earthquake loading with no further increase allowed. Reduce where other loads govern.
- A minimum two-ply carrying member is required for the tabulated loads. With single 2x carrying members, use ¼" x 1 ½" Strong-Drive® SDS Heavy-Duty Connector screws in the carrying member and reduce the load to 0.60 of the table value.
- For installations on 2x6 carrying members not at a panel point, the four uppermost face fasteners are not installed. For installations on 2x6 carrying members at a panel point, fasteners are installed into the round holes only (minimum vertical member sizes are 2x6 and 2x8 for the MTHMQ and MTHMQ-2, respectively).
- Tabulated two-member allowable loads assume that 75% of the total load is distributed to the hip and 25% to the jack. It is permitted to distribute 65% to 85% of the tabulated total load to the hip, and the remaining percentage of total load to the jack. The combined hip and jack load may not exceed the published Total Load.
- For terminal hips, divide the total allowable load by 2 to determine the allowable load for each hip.
- Tabulated three-member loads assume that each hip carries 40% of the total load and the jack carries 20% of the total load. Other hip-jack load distributions are allowed if the load sum for all three carried members does not exceed the total load and the hip members are equally loaded.
- Where noted in the table, the total allowable download for the MTHMQ-2-SDS3 (min.) for a three-member connection at the 115/125/160 load duration is 5,400 lb. (DF/SP) and 3,890 lb. (SPF/HF).
- Truss chord cross-grain tension may limit allowable loads in accordance with ANSI/TPI 1-2014. Simpson Strong-Tie [Hanger Selector web application](#) includes the evaluation of cross-grain tension in its hanger allowable loads. For additional information, contact Simpson Strong-Tie.
- Strong-Drive SDS Heavy-Duty Connector screws may be installed through metal truss plates as approved by the Truss Designer, provided the requirements of ANSI/TPI 1-2014, Sections 7.5.3.4 and 8.9.2 are met (pre-drilling required through the plate using a 5/16" bit maximum).
- Fasteners:** SDS screws are Simpson Strong-Tie Strong-Drive SDS Heavy-Duty Connector screws. See pp. 23–24 for fastener information.